



**EDH**

**Application**

- It is applicable to household water supply, equipment support, pipeline pressurization, garden watering, vegetable greenhouse watering, fish farming and poultry raising, industrial and mining, water supply and drainage or enterprises and high-rise buildings, central air conditioner and centralized heating circulation system, etc.

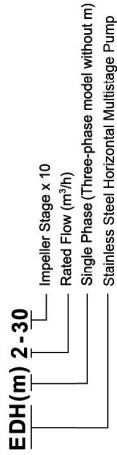
**Pump**

- AISI 304 shaft
- Max. liquid temperature: +85°C
- Altitude: up to 1000 m
- Max. suction: 8 m
- Max. inlet pressure: limited by max. operating pressure
- Max. operation pressure: 10 bar
- Liquid PH value: 4 - 10

**Motor**

- Motor with copper winding
- Built-in thermal protector for single phase motor
- Insulation class: F
- Protection class: IP55
- Max. ambient temperature: +40°C

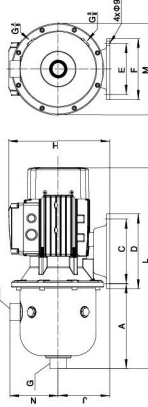
**Identification Codes**



**Technical Data**

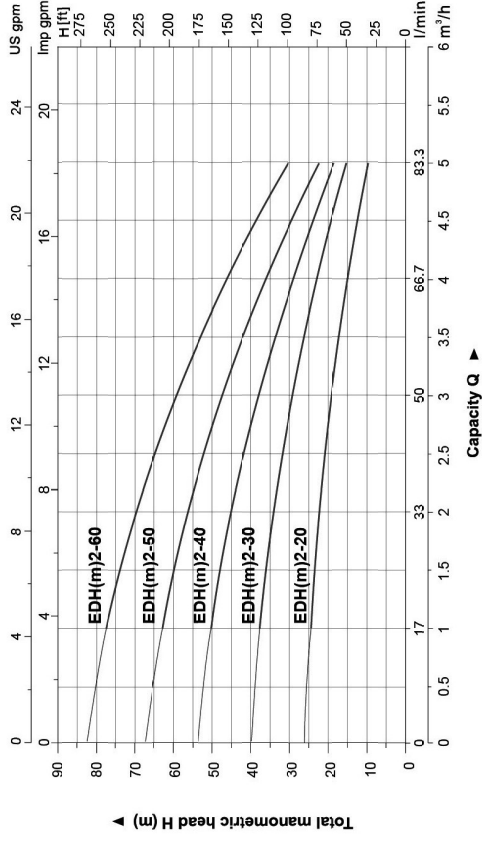
| Model      | Power (P2) |      | Q (m <sup>3</sup> /h) | Q (l/min) | H (m) | Capacity Q |      |      |      |      |      |      |      |    |  |
|------------|------------|------|-----------------------|-----------|-------|------------|------|------|------|------|------|------|------|----|--|
|            | kW         | HP   |                       |           |       | 1          | 1.5  | 2    | 2.5  | 3    | 3.5  | 4    | 4.5  |    |  |
| EDH(m)2-20 | 0.37       | 0.5  | 24.5                  | 23.5      | 22    | 17         | 25   | 33   | 41.7 | 50   | 58.3 | 66.7 | 75   | 13 |  |
| EDH(m)2-30 | 0.55       | 0.75 | 37                    | 35.5      | 32    | 31         | 29   | 26   | 23   | 18   | 15   | 13   | 18   |    |  |
| EDH(m)2-40 | 0.75       | 1.0  | 49                    | 47.5      | 43.5  | 40.5       | 37.5 | 33.5 | 29   | 23   | 18   | 15   | 13   |    |  |
| EDH(m)2-50 | 0.75       | 1.0  | 59.5                  | 56        | 53.5  | 49.5       | 46   | 41.5 | 35.5 | 29.5 | 23   | 18   | 15   |    |  |
| EDH(m)2-60 | 1.1        | 1.5  | 75                    | 71        | 66    | 62.5       | 57.5 | 51.5 | 45   | 37.5 | 31.5 | 25.5 | 19.5 |    |  |

**Dimension**



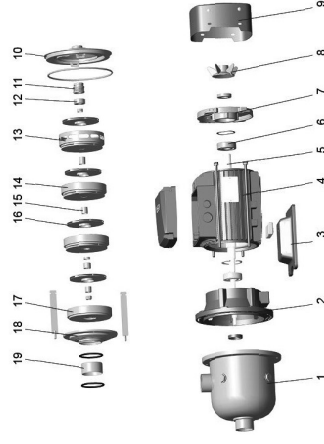
| Model      | L   | A   | C   | D   | E   | F   | G  | H   | J   | M    | N   |
|------------|-----|-----|-----|-----|-----|-----|----|-----|-----|------|-----|
| EDH(m)2-20 | 427 | 180 | 138 | 160 | 108 | 130 | G1 | 216 | 110 | Φ195 | 103 |
| EDH(m)2-30 | 427 | 180 | 138 | 160 | 108 | 130 | G1 | 216 | 110 | Φ195 | 103 |
| EDH(m)2-40 | 427 | 180 | 138 | 160 | 108 | 130 | G1 | 216 | 110 | Φ195 | 103 |
| EDH(m)2-50 | 427 | 180 | 138 | 160 | 108 | 130 | G1 | 238 | 110 | Φ195 | 103 |
| EDH(m)2-60 | 427 | 180 | 138 | 160 | 108 | 130 | G1 | 238 | 110 | Φ195 | 103 |

**Hydraulic Performance Curves**



**Materials Table**

| No. | Part          | Material  | No. | Part               | Material   |
|-----|---------------|-----------|-----|--------------------|------------|
| 1   | Pump body     | AISI 304  | 11  | Mechanical seal    | SiC/Carbon |
| 2   | Support       | ZL102     | 12  | Positioning sleeve | AISI 304   |
| 3   | Bottom plate  | Cast iron | 13  | Diffuser 3         | AISI 304   |
| 4   | Stator        | AISI 304  | 14  | Diffuser 2         | AISI 304   |
| 5   | Rotor         | AISI 304  | 15  | Sleeve             | AISI 304   |
| 6   | Bearing       | ZL102     | 16  | Impeller           | AISI 304   |
| 7   | Rear cover    | PP        | 17  | Diffuser 1         | AISI 304   |
| 8   | Fan           | GF        | 18  | Pressure plate     | AISI 304   |
| 9   | Fan cover     | GF        | 19  | Square Nut         | AISI 304   |
| 10  | Bracket cover | AISI 304  |     |                    |            |



**Package Information**

| Model      | GW (Kge) | L (mm) | W (mm) | H (mm) | Quantity (PCS/20TEU) |
|------------|----------|--------|--------|--------|----------------------|
| EDH(m)2-20 | 11.02    | 465    | 225    | 291    | 861                  |
| EDH(m)2-30 | 12.96    | 465    | 225    | 291    | 861                  |
| EDH(m)2-40 | 13.62    | 465    | 225    | 291    | 861                  |
| EDH(m)2-50 | 16.97    | 515    | 225    | 318    | 791                  |
| EDH(m)2-60 | 19.07    | 515    | 225    | 318    | 791                  |