

EUROINOX

MULTISTAGE CENTRIFUGAL PUMPS



Multistage horizontal centrifugal pump, featuring extremely silent running suitable for domestic use for water supply and pressurisation, irrigation of gardens and vegetable gardens, and moving water in general.

Euroinox: stainless steel pump body.

Motor support in die-cast aluminium, seal holder in AISI 304 steel. Mechanical seal in carbon/ceramic. Rotor shaft in AISI 304 steel. Rotors, diffuser bodies and diffusers in technopolymer. Adjustment rings in stainless steel.

Protection level of motor IP 44

Protection level of terminal board IP 55

Insulation class F

Operating range from 2.6 to 31.7 gpm (0.6 to 7.2 m³/h) with a head of up to 236 ft (72 m)

Pumped liquid characteristics clean, free from solid or abrasive substances, non viscous, non aggressive, non crystallised, chemically neutral and close to the characteristics of water

Liquid temperature range

from 32°F to +95°F (0°C to +35°C) for domestic use
from 32 F to +104 F (0°C to +40°C) for other uses

Maximum ambient temperature +104 F (+40°C)

Maximum operating pressure 116 psi (8 bar)

Euroinox self-priming



TECHNICAL DATA

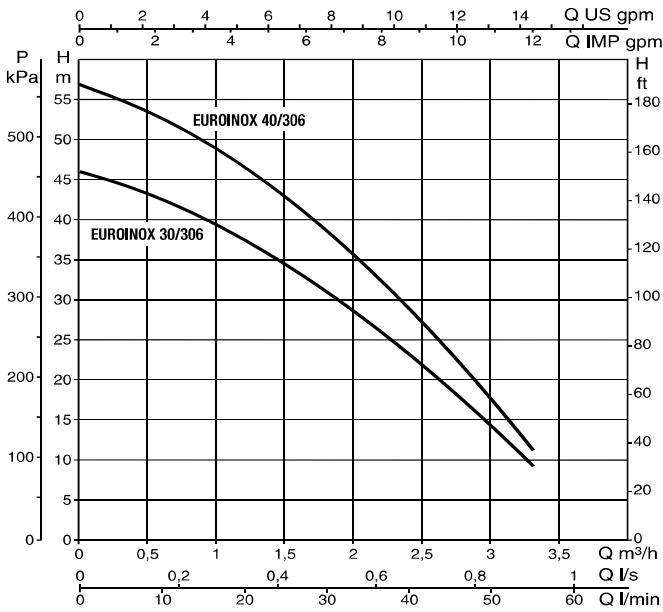
MODEL	CODE	ELECTRICAL DATA						
		VOLTAGE 60 Hz	P1 MÁX kW	P2 NOMINAL		In A	CAPACITOR	
				kW	HP		µF	Vc
EUROINOX 30/306 M	60119512	1X115/230 V~ dual VOLTAGE	0.89	0.33	0.6	8.0- 4.12	50	250
EUROINOX 40/306 M	60119513	1X115/230 V~ dual VOLTAGE	1	0.5	0.75	8.92- 4.55	50	250
EUROINOX 30/506 M	60119514	1X115/230 V~ dual VOLTAGE	0.94	0.5	0.75	8.31- 4.28	50	250
EUROINOX 40/506 M	60119515	1X115/230 V~ dual VOLTAGE	1.3	0.8	1.1	13.0- 6.6	80	250
EUROINOX 50/506 M	60119516	1X115/230 V~ dual VOLTAGE	1.5	1	1.36	14.6- 7.4	80	250
EUROINOX 25/806 M	60119517	1X115/230 V~ dual VOLTAGE	0.9	0.55	0.75	8.3- 4.3	50	250
EUROINOX 30/806 M	60119518	1X115/230 V~ dual VOLTAGE	1.3	0.8	1.1	13.0- 6.5	80	250
EUROINOX 40/806 M	60119519	1X115/230 V~ dual VOLTAGE	1.5	1.1	1.36	14.6- 7.4	80	250

EUROINOX

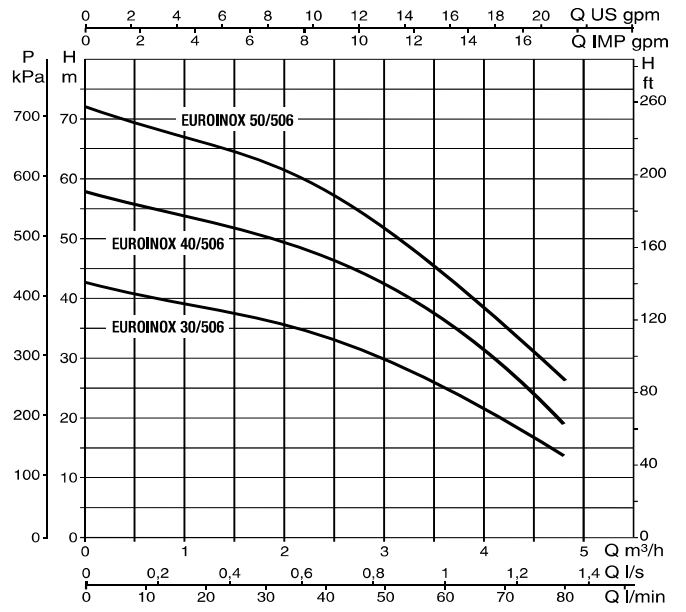
MULTISTAGE CENTRIFUGAL PUMPS

RANGE PERFORMANCE

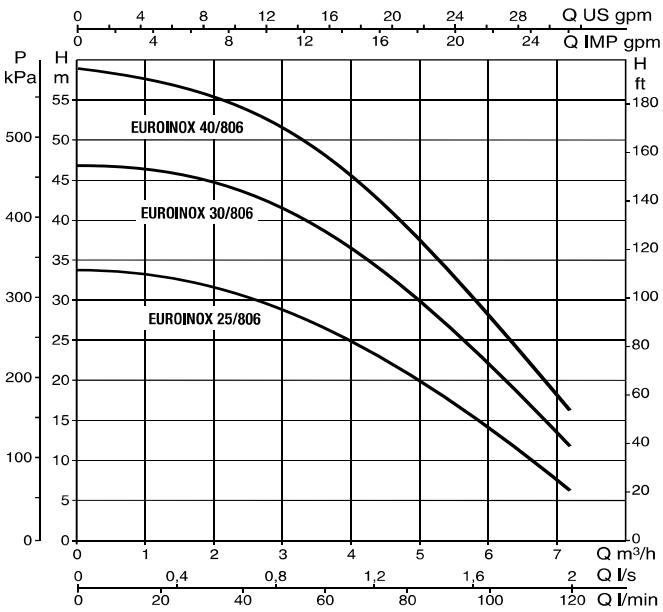
EUROINOX 30



EUROINOX 50



EUROINOX 80



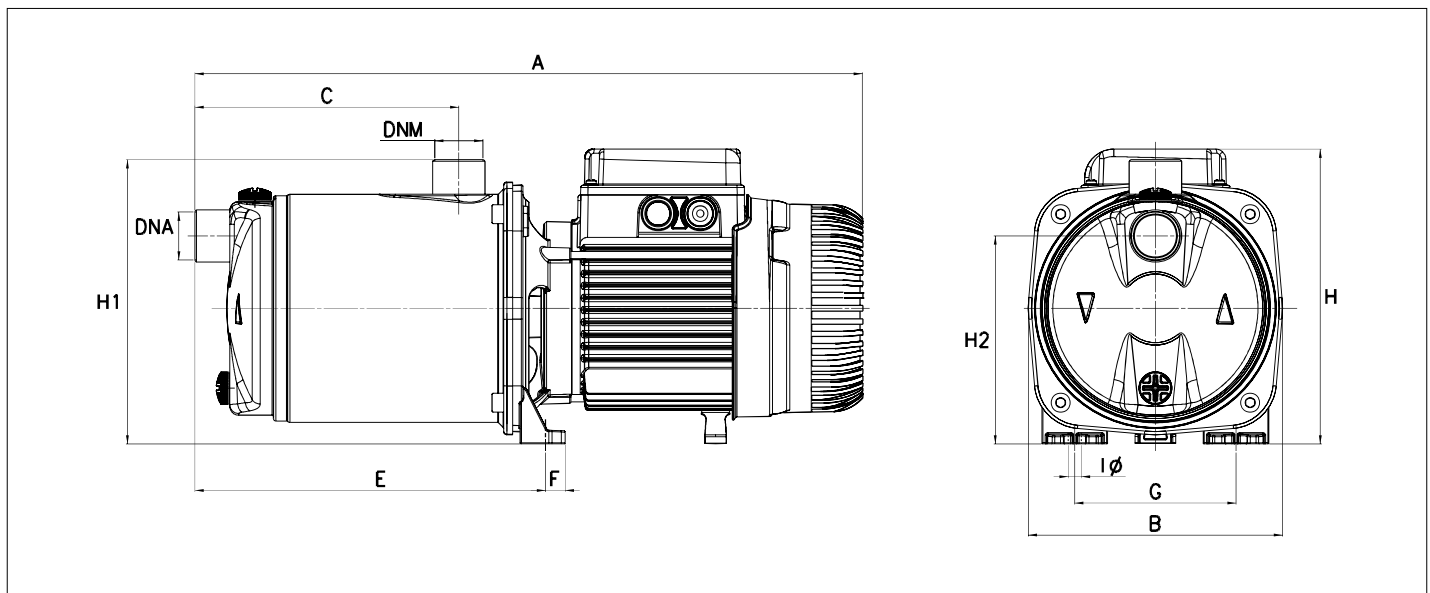
EUROINOX

MULTISTAGE CENTRIFUGAL PUMPS

RANGE PERFORMANCE

MODEL	P2 NOMINAL		Q = gpm	0	2.6	5.3	7.9	10.6	13.2	15.8	18.5	21.1	26.4	31.7
	kW	HP	Q = l/min	0	10	20	30	40	50	60	70	80	100	120
EUROINOX 30/306 M	0.45	0.6	H (ft)	151	138	124	102	76	47					
			H (m)	46	42.2	37.8	31.2	23.3	14.3					
EUROINOX 40/306 M	0.55	0.75	H (ft)	187	173	154	127	95	58					
			H (m)	57	52.7	47	38.8	29	17.7					
EUROINOX 30/506 M	0.55	0.75	H (ft)	138	132	125	119	111	98	81	64	46		
			H (m)	42	40.2	38.2	36.2	33.8	30	24.8	19.5	14		
EUROINOX 40/506 M	0.75	1	H (ft)	190	181	173	164	155	140	117	92	62		
			H (m)	58	55.3	52.8	50.1	47.1	42.7	35.8	28	19		
EUROINOX 50/506 M	1	1.36	H (ft)	236	225	215	204	191	171	143	113	85		
			H (m)	72	68.5	65.5	62.1	58.2	52.2	43.6	34.5	26		
EUROINOX 25/806 M	0.55	0.75	H (ft)	112		108	105	100	94	85	77	69	48	21
			H (m)	34		33	32	30.5	28.5	26	23.5	21	14.5	6.5
EUROINOX 30/806 M	0.8	1.1	H (ft)	154		153	148	143	135	125	113	102	75	39
			H (m)	47		46.5	45	43.5	41	38	34.5	31	23	12
EUROINOX 40/806 M	1	1.36	H (ft)	194		187	184	177	167	154	143	128	97	54
			H (m)	59		57	56	54	51	47	43.5	39	29.5	16.5

DIMENSIONS AND WEIGHTS



MODEL	units	A	B	C	E	F	G	IØ 4 Holes	H	H1	H2	DNA (NPT)	DNM (NPT)	PACKING DIMENSIONS			WEIGHT	Q.TY x PALLET
														L/A	L/B	H		
EUROINOX 30/306 M	inches	17.3	6.9	6.5	9.5	0.5	4.4	0.4	7.6	7.7	5.6	1"	1"	18.9	8.3	10.4	25.8 lbs	28
	mm	439	174	166	241	13.5	111	9	193	196	143			480	212	265	11.7 kg	
EUROINOX 40/306 M	inches	17.3	6.9	6.5	9.5	0.5	4.4	0.4	7.6	7.7	5.6	1"	1"	18.9	8.3	10.4	26.2 lbs	28
	mm	439	174	166	241	13.5	111	9	193	196	143			480	212	265	11.9 kg	
EUROINOX 30/506 M	inches	15.1	6.9	4.3	7.3	0.5	4.4	0.4	7.6	7.7	5.6	1"	1"	17.3	8.1	9.6	23.1 lbs	28
	mm	384	174	108	186	13.5	111	9	193	196	143			440	206	245	10.5 kg	
EUROINOX 40/506 M	inches	18	6.9	6.5	9.5	0.5	4.4	0.4	8	7.7	5.6	1"	1"	18.9	8.3	10.4	32.2 lbs	28
	mm	458	174	166	241	13.5	111	9	203	196	143			480	212	265	14.6 kg	
EUROINOX 50/506 M	inches	18	6.9	6.5	9.5	0.5	4.4	0.4	8	7.7	5.6	1"	1"	18.9	8.3	10.4	33.3 lbs	28
	mm	458	174	166	241	13.5	111	9	203	196	143			480	212	265	15.1 kg	
EUROINOX 25/806 M	inches	15.1	6.9	4.3	7.3	0.5	4.4	0.4	7.6	7.7	5.6	1"	1"	17.3	8.1	9.6	23.1 lbs	28
	mm	384	174	108	186	13.5	111	9	193	196	143			440	206	245	10.5 kg	
EUROINOX 30/806 M	inches	18	6.9	6.5	9.5	0.5	4.4	0.4	8	7.7	5.6	1"	1"	18.9	8.3	10.4	32.2 lbs	28
	mm	458	174	166	241	13.5	111	9	203	196	143			480	212	265	14.6 kg	
EUROINOX 40/806 M	inches	18	6.9	6.5	9.5	0.5	4.4	0.4	8	7.7	5.6	1"	1"	18.9	8.3	10.4	33.3 lbs	28
	mm	458	174	166	241	13.5	111	9	203	196	143			480	212	265	15.1 kg	